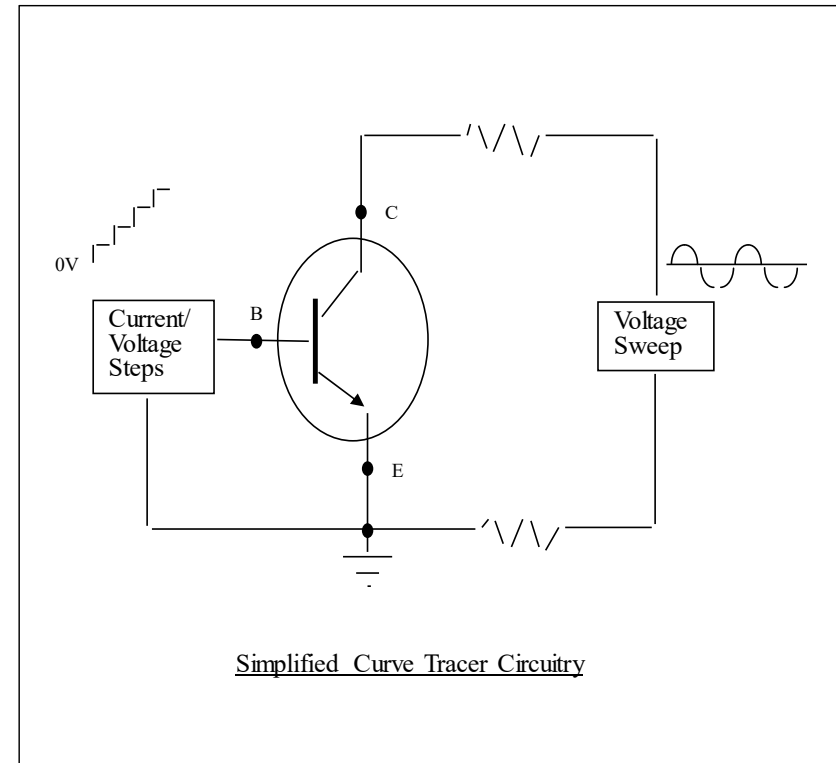


Curve Tracer



Capability/Application

1. Verify Open/ Short/ leakage failure of IC devices.
2. Measure DC parameter of discrete device (eg. h_{FE} , BV_{CEO} , I_{DSS} ...etc).

Verify Failure mode

